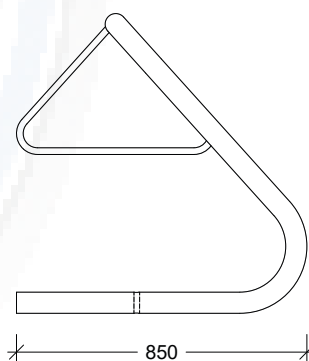
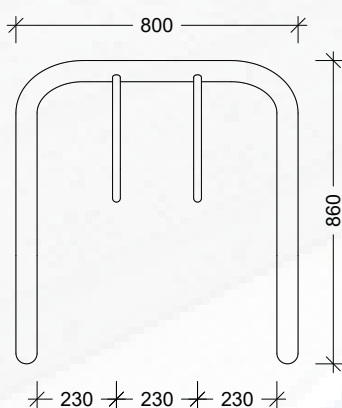


Car Park Fixtures TSA Bike Rack - 3 Bay Surface Mount – Galvanised & Stainless Steel



Tactile Systems Australia range of surface mount bike racks are a proven design suitable for multiple bike parking solutions. Higher density bicycle parking is available as the BR-3B series can be accessed from both sides. This range of bicycle parking is available in either galvanised or stainless steel construction.

- Single or double side access
- Fully welded construction – supplied fully assembled and ready to use
- High grade anchor bolts ensure secure fixing via pre-drilled mounting holes
- Stainless steel or hot dip galvanised versions
- Capacity: Up to 5 Bikes
 - Allows for 3 in bays and 2 on outer ends
 - Single side access: 3 on one side (+ 1 on each end)
 - Double side access: also possible to increase capacity



1 YEAR PRODUCT WARRANTY



INSTALLATION SERVICE AVAILABLE

Specifications

Type	Code
Galvanised	BR-3B-G
Stainless Steel	BR-3B-S



FIXINGS