

# Car Park Fixtures

## Bike Rack - Square - Galvanised - Surface Mount



10mm x 100mm FIXINGS



Tactile Systems Australia Square shaped Bike Racks are made from hot-dip galvanised steel.

Their robust construction, longevity and elegant aesthetics make these bike racks ideal for any public area where you need to store your bike whilst adding a sense of class to any design.

Made Easy to install using high quality Screw anchors which are also available for purchase.



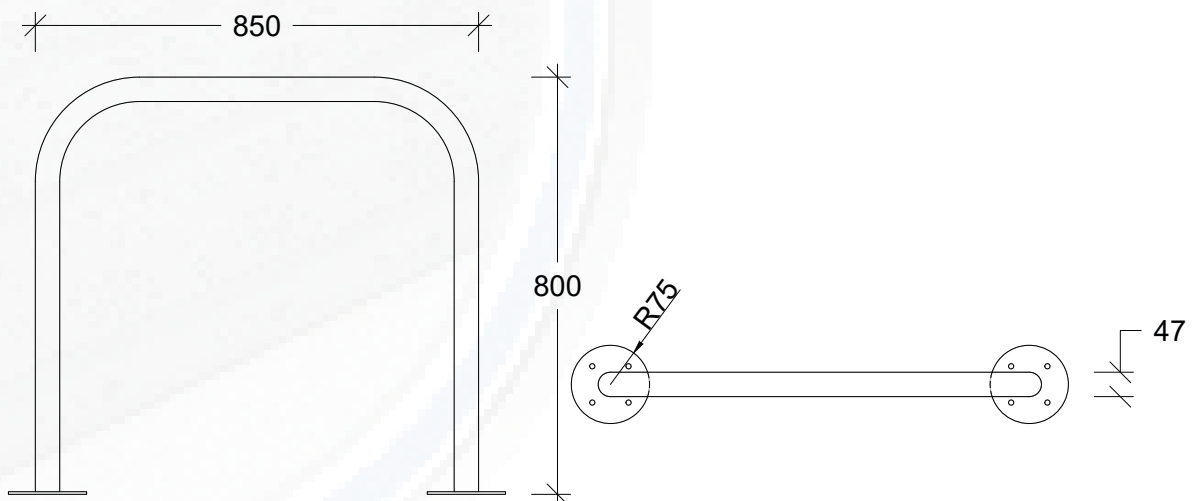
AS/NZ 2890.3: 2015  
STANDARD



1 YEAR PRODUCT  
WARRANTY



INSTALLATION SERVICE  
AVAILABLE



### Specifications

Material	Code	Weight	Screw Anchor Fixings
Galvanised	BR-S-G-SM	9kg	8 x Screw Anchors 10x80