

## Car Park Fixtures Surface Mount Bollards



Tactile Systems Australia range of Surface Mount Bollards are ideal for protecting both people and property.

Our bollards are available in a range of sizes and are manufactured to our high-quality standards and specifications.

All bollards are manufactured from high grade steel, then hot dip galvanised, before being powder coated to give a long lasting robust finish.

These are securely mounted via the fully welded mounting plate with four fixing points. 10mm x 80mm screw anchor fixings are also available for purchase.

### SPECIFICATIONS

Bollard Size	Colour	Code	Weight
1000mm x 114mm	Yellow	BSM-114-YEL	12.9 Kg
1200mm x 140mm	Yellow	BSM-140-YEL	17.8 Kg
1200mm x 140mm	Galvanised	BSM-140-GAL	16.5 Kg
1300mm x 165mm	Yellow	BSM-165-YEL	23.3 Kg
1300mm x 165mm	Galvanised	BSM-165-GAL	21.0 Kg
1500mm x 220mm	Yellow	BSM-220-YEL	31.8 Kg



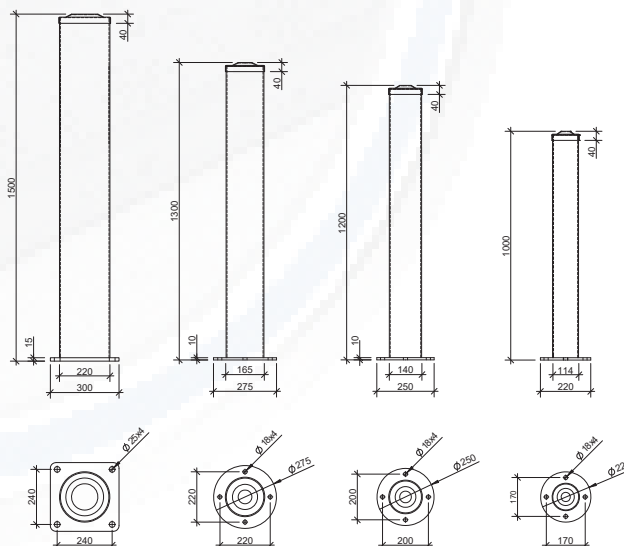
AS/NZ 2890.1: 2004  
STANDARD



1 YEAR PRODUCT  
WARRANTY



INSTALLATION SERVICE  
AVAILABLE



10mm x 80mm FIXINGS

