

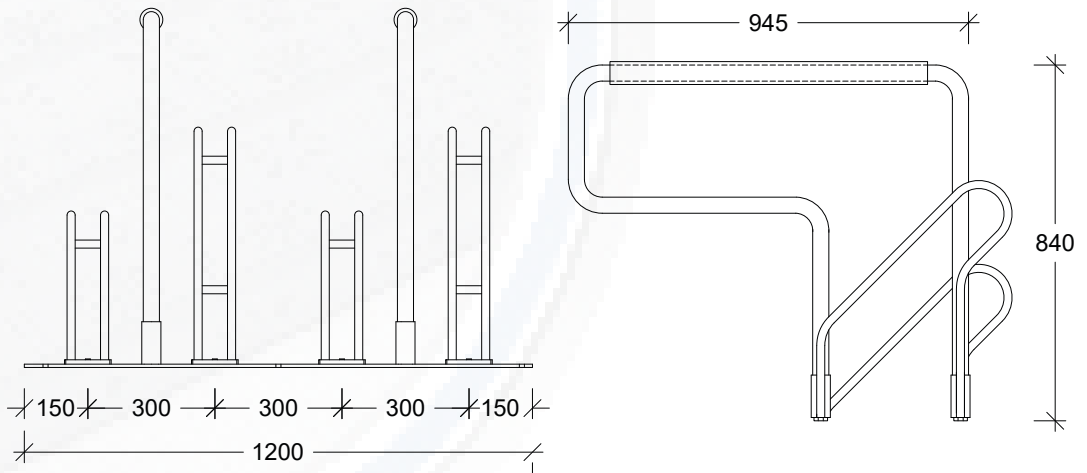
Car Park Fixtures P Style Bike Rack



Tactile Systems Australia Horizontal P Style bike rack is an effective method for multiple bike storage in areas short on space such as basement carparks in hotels, residential apartments and schools.

They come in two styles, Hot dipped Galvanised or Powder Coated Yellow.

- 4 bike parking
- Leaning rail
- Wheel Supports
- One sided access
- Rubber bike protector



1 YEAR PRODUCT WARRANTY



INSTALLATION SERVICE AVAILABLE

Specifications

Type	Dimensions	Code	Weight
P Style - Galvanised	1200mm x 1058mm x 828mm	BR-P Style-G	20.5kg
P Style - Powder Coat (Black and Yellow)	1200mm x 1058mm x 828mm	BR-P Style - BLK & YEL	21kg