

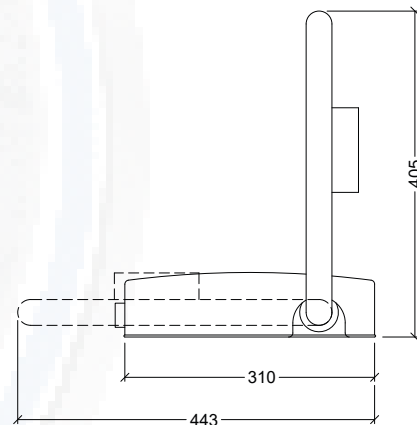
## Car Park Fixtures Remote Control Parking Lock



Remote control parking bollard is the ideal unit to protect your parking space from unauthorised use. Simple operation via remote control from within your vehicle means you can easily secure your parking space and operate the bollard.

Tactile Systems parking bollard has the following features:

- Solid steel base for secure fixing and long service life
- Easy to operate via remote control - 2 supplied as standard
- Remote activated security steel arm – high visibility and quick operation, robust construction
- Internal re-chargeable battery – 9 to 12 months on a single charge
- Water and dust rated makes the bollard suitable for wide range of environments
- Warning alarm activates if the bollard is driven over or if an attempt is made to push down the folding arm
- Remote control operation from up to 100m away – your space will be ready for you
- Installation is via concrete screws utilising the precast install holes.
- Fixing holes are hidden under the lockable cover for additional security



- Dimensions: 450mmx400mmx70mm
- High Visibility yellow and black colour scheme
- 2 x remotes and charger supplied as standard, keys to access secure base
- Additional remotes and chargers are available

### SPECIFICATIONS

Type	Code
Remote Control Parking Lock	RC PLB 450MMX400MMX70MM



1 YEAR PRODUCT WARRANTY



INSTALLATION SERVICE AVAILABLE