

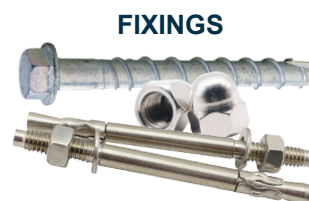
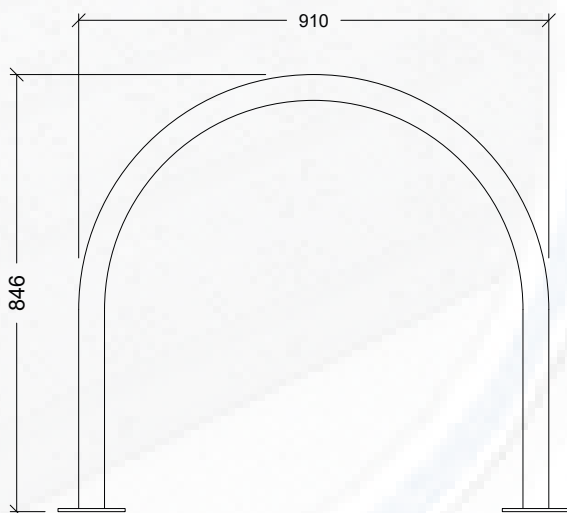
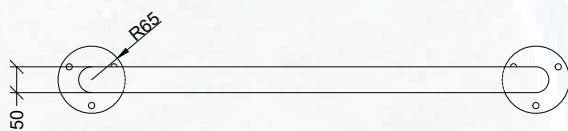
Car Park Fixtures Hoop Shape Bike Racks



Tactile Systems Australia Hoop Shaped Bike Rack Range are made from 316 marine grade solid stainless steel or hot-dip galvanised steel.

Their robust construction, longevity and elegant aesthetics make these bike racks ideal for any public area where you need to store your bike whilst adding a sense of class to any design.

Made Easy to install using high quality Screw anchors which are also available for purchase.



SPECIFICATIONS

Material	Code	Weight	Screw Anchor Fixings
Stainless Steel	BRH-S-850	9kg	8 x Wedge Anchor & Dome Nut
Galvanised	BRH-G-850	8kg	8 x Screw Anchors 10x80



AS/NZ 2890.3: 2015
STANDARD



1 YEAR PRODUCT
WARRANTY



INSTALLATION SERVICE
AVAILABLE