

## Car Park Fixtures Cast in Key Lockable & Removable - Stainless Steel



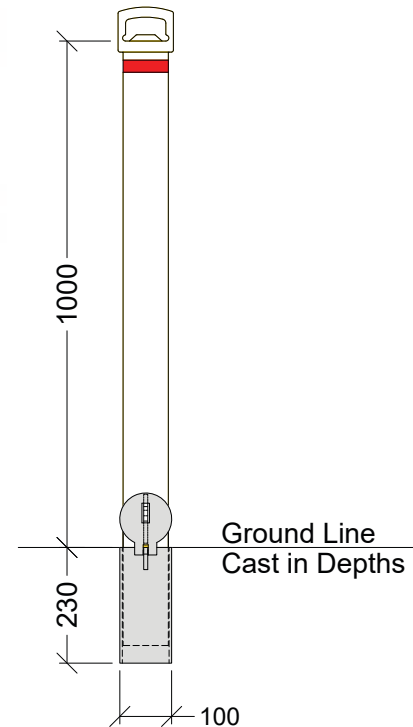
Tactile Systems Australia range of Cast in Bollards are ideal for protecting both people and property.

Our bollards are manufactured to our high-quality standards and specifications.

All bollards are manufactured from high grade steel,

These cast-in bollards are ideal for new construction use or can be retrofitted into existing substrates if necessary. Retrofit use will require a core hole to be made in the existing substrate.

- Removable with lifting handle
- Galvanised sleeve for inground portion
- Lockable



### SPECIFICATIONS

Bollard Size	Code
1000mm x 90mm	BRM-90-SS



1 YEAR PRODUCT WARRANTY



INSTALLATION SERVICE AVAILABLE