



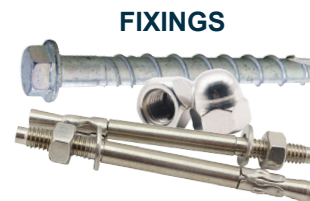
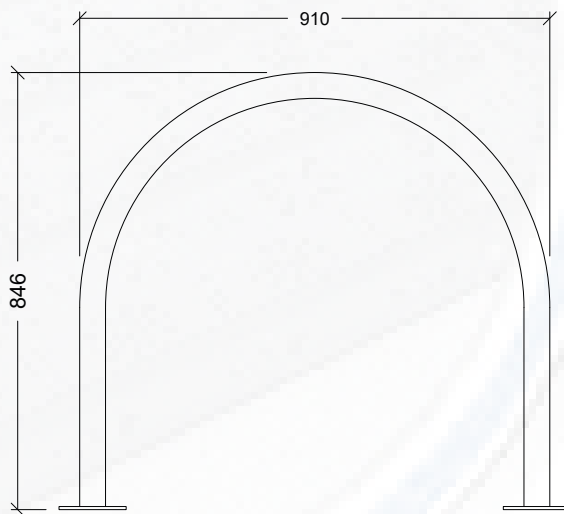
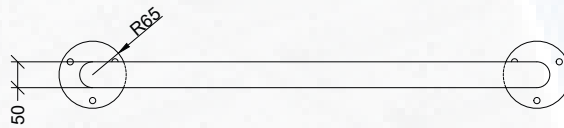
Car Park Fixtures Hoop Shape Bike Racks



Tactile Systems Australia Hoop Shaped Bike Rack Range are made from 304 grade solid stainless steel or hot-dip galvanised steel.

Their robust construction, longevity and elegant aesthetics make these bike racks ideal for any public area where you need to store your bike whilst adding a sense of class to any design.

Made Easy to install using high quality Screw anchors which are also available for purchase.



AS/NZ 2890.3: 2015
STANDARD



1 YEAR PRODUCT
WARRANTY



INSTALLATION SERVICE
AVAILABLE

SPECIFICATIONS

Material	Code	Weight	Screw Anchor Fixings
Stainless Steel	BRH-S-850	9kg	8 x Wedge Anchor & Dome Nut
Galvanised	BRH-G-850	8kg	8 x Screw Anchors 10x80